



TSB # 10-2020

March 12, 2020

Page 1 of 4

TO:

ATTN:

SUBJECT: Upgraded Frame Section Towers on XR750 and XR770 Harrow

FIX ON FAILURE (Failure Code 10.20)

Effective serial number range: XR Harrows prior to sn: 43684**-**

BACKGROUND:

The existing version of the harrow section tower has been upgraded.

- A brace has been added to provide strength when the harrow sections are exposed to side-loading.
- A second mounting bolt has been added to provide better retention to the harrow beam and reduce the potential of mounting bolt failures.
- The side plates have been increased to ½" material eliminating the potential for cracking at the harrow arm pivot bolt mounting locations.

This new design is compatible with older units and an Upgrade Kit is available.





CORRECTIVE ACTION:

- Inspect

Part Number	Description	Dealer Cost	List Price
8622-98	Section Tower Upgrade Kit		

Contact your Local Bourgault dealer for pricing

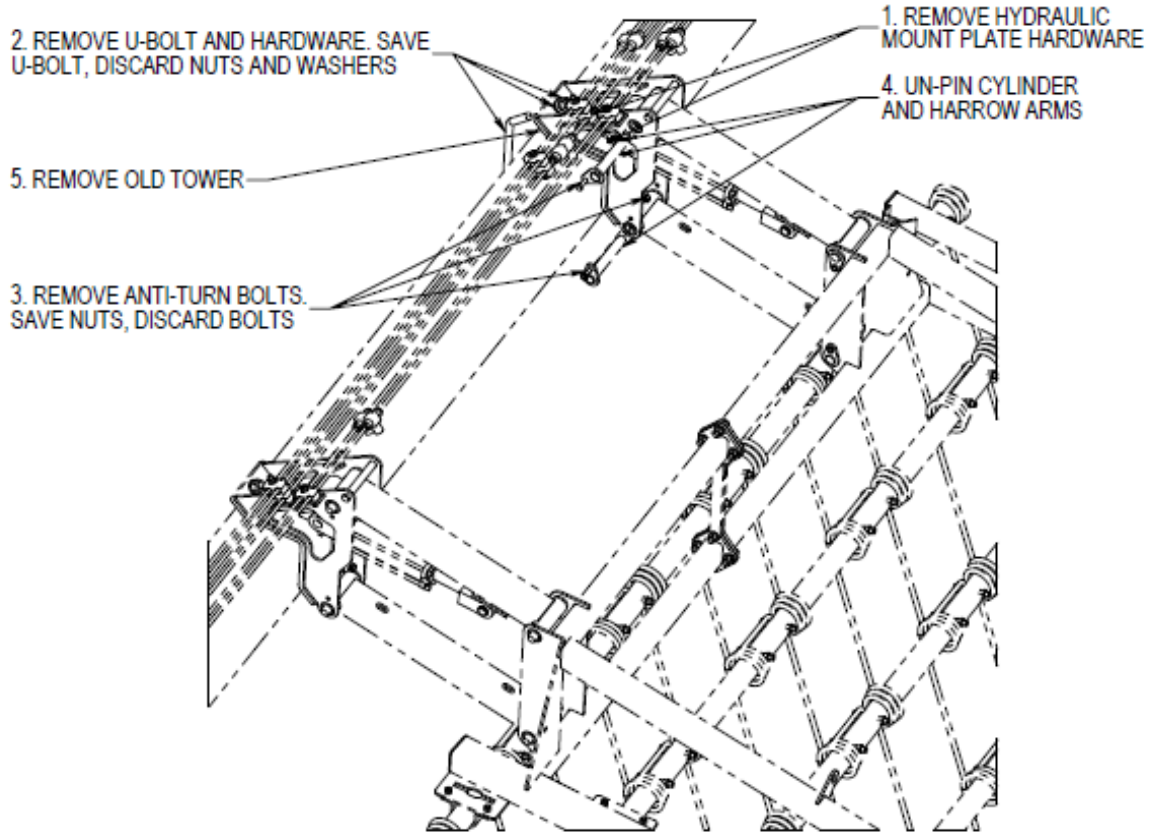
WARRANTY DETAIL:

Contact your local Bourgault dealer for Warranty Details

GENERAL INFORMATION:

- THIS KIT IS MEANT FOR UPGRADING EARLY MODEL XR770 AND XR750 HARROW BARS
- BE SURE TO PLACE JACKS OR BLOCKS UNDER THE HARROW SECTION BEFORE DIS-ASSEMBLING THE TOWERS OR ARMS
- DO NOT DIS-ASSEMBLE BOTH TOWERS ON A HARROW SECTION AT ONE TIME TO ENSURE HARROW SECTION SPACING REMAINS IN PLACE

STEP 1: DIS-ASSEMBLE



STEP 2: RE-ASSEMBLE

