



TO: All Bourgault Dealers
 ATTN: Service Manager, Parts Manager, Sales Manager
 SUBJECT: "Special" Faba Bean Metering Auger Conversion Kits

INFORMATION BULLETIN:

BACKGROUND:

Faba bean production has steadily increased the last few years. The irregular shape and size of the faba bean seed has resulted in some producers not being able to achieve the seeding rates they require. Producers have also encountered faba beans jamming in the metering auger resulting in the auger clutch slipping while also experiencing wear/damage to the inlet of the orifice. Development of "special" faba bean metering auger assemblies has been on-going the last year with favorable results. These special metering augers incorporate a "straight-thru" design with constant clearance between the steel flighting and liner. As well a steel capping plate has been added to protect the inlet of the orifice from damage.

Conversion kits have now been created for PDM PRO metering auger assemblies used on the 6000 and 7000 series air-seeders. These kits convert existing metering auger assemblies into the "special" faba bean metering auger assemblies. These conversion kits include a new steel flighting, barrel liner(s)/orifice as well as the orifice collar and required mounting hardware.

These "special" faba bean metering auger assemblies can be used for all other products normally metered by 1X and HX metering augers with a few important differences:

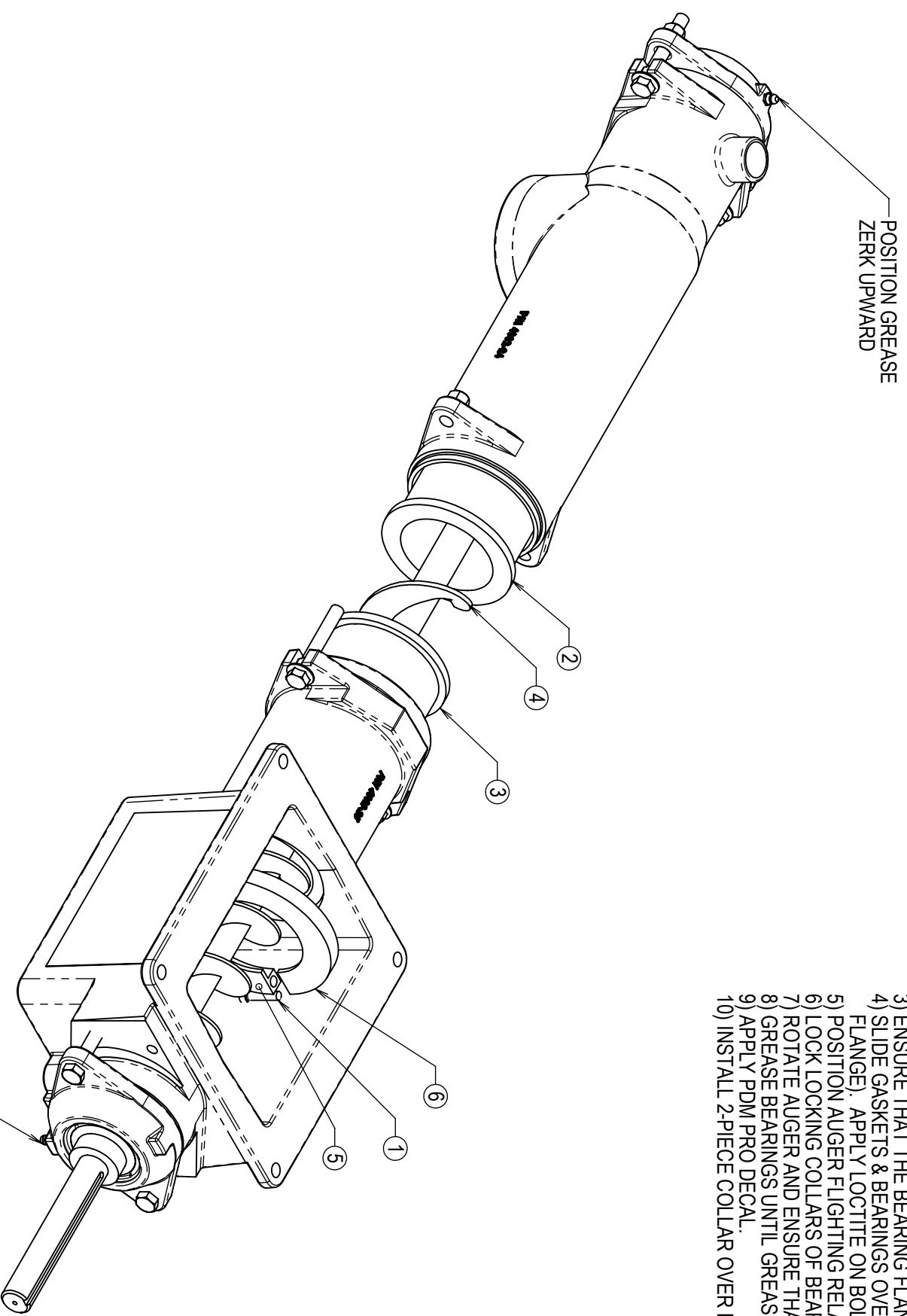
- The output of the "special" F1X and FHX augers is approximately 7% less than the standard 1X and HX.
 - This will be seen during calibration as the Cal Factors obtained will be approximately 7% lower than what is stored in the product list for the 1X and HX flightings.
- Maximum achievable rates will also decreased by approximately 7%.
- The steel orifice cap may also be prone to product build-up when metering fertilizer or other treated grains.
 - When not metering faba beans the collar can easily be removed if build-up is encountered.

KIT NUMBER	DESCRIPTION	REF PRICE	LIST PRICE
6343-40	F1X metering auger conversion kit – 6000 series PDM PRO		Contact dealer
6343-41	FHX metering auger conversion kit – 7000 series PDM PRO		Contact dealer

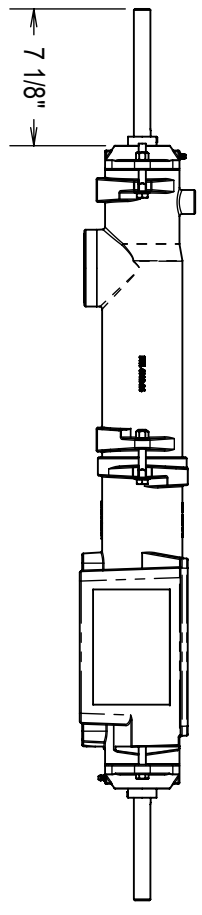
Note: kits are available from the Bourgault Parts Department

If you have any questions regarding this TSB, please contact your Territory Service Representative

6000 series airseeder - F1X Metering Auger Conversion Kit - 6343-40



- ASSEMBLY INSTRUCTIONS:**
- 1) INSERT LINER & ORIFICE INTO BARREL & SUMP RESPECTIVELY AND CONNECT TOGETHER WITH O-RING ON BARREL. ENSURE BOLTS ARE TIGHTENED EVENLY TO SEAT PROPERLY.
 - 2) INSERT AUGER FLIGHTING INTO HOUSING.
 - 3) ENSURE THAT THE BEARING FLANGES ARE COMPLETELY FILLED WITH GREASE BEFORE INSTALLING.
 - 4) SLIDE GASKETS & BEARINGS OVER SHAFT AND BOLT ON (ENSURE STEP ON GASKET IS TOWARDS INSIDE OF BEARING FLANGE). APPLY LOCTITE ON BOLTS ON SUMP SIDE. ENSURE BOLTS ARE TIGHTENED EVENLY TO SEAT PROPERLY.
 - 5) POSITION AUGER FLIGHTING RELATIVE TO HOUSING TO ACHIEVE THE DIMENSION SHOWN.
 - 6) LOCK LOCKING COLLARS OF BEARINGS ONTO BOTH ENDS OF THE FLIGHTING.
 - 7) ROTATE AUGER AND ENSURE THAT IT IS NOT RUBBING ON THE LINER OR ORIFICE.
 - 8) GREASE BEARINGS UNTIL GREASE COMES OUT OF BEARING.
 - 9) APPLY PDM PRO DECAL.
 - 10) INSTALL 2-PIECE COLLAR OVER LINER INSIDE THE SUMP.



POSITION GREASE ZERK DOWNWARD

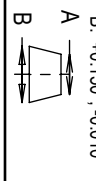
COMPONENTS INCLUDED IN PKG 6342-98-01

ITEM #	PART #	DESCRIPTION	QTY.
1	1000-13	BOLT 1/4X1 UNC HEX SKT HEAD	2
2	6362-93	LNR BRRL UHMW PPRO SPCL F1X	1
3	6362-94	ORF 2.80" UHMW PPRO SPCL F1X	1
4	6362-96	AGR F1X STL PPRO MTRG AGR	1
5	6362-97-01	CLLR ORF FACE PL BOT 2.80" F1X	1
6	6362-97-02	CLLR ORF FACE PL TOP 2.80" F1X	1

TOLERANCES UNLESS OTHERWISE SPECIFIED:

ANGLES ± 1° FRACTIONS ± 1/16"
 DECIMALS FRACTIONAL HOLES:
 XX ± .01"
 XXX ± .005"

A: +0.020", -0.010"
 B: +0.150", -0.010"



REV	DATE	DESCRIPTION	CB	BY
0	17-MAY-16	COMPLETED DRAWING		MRP

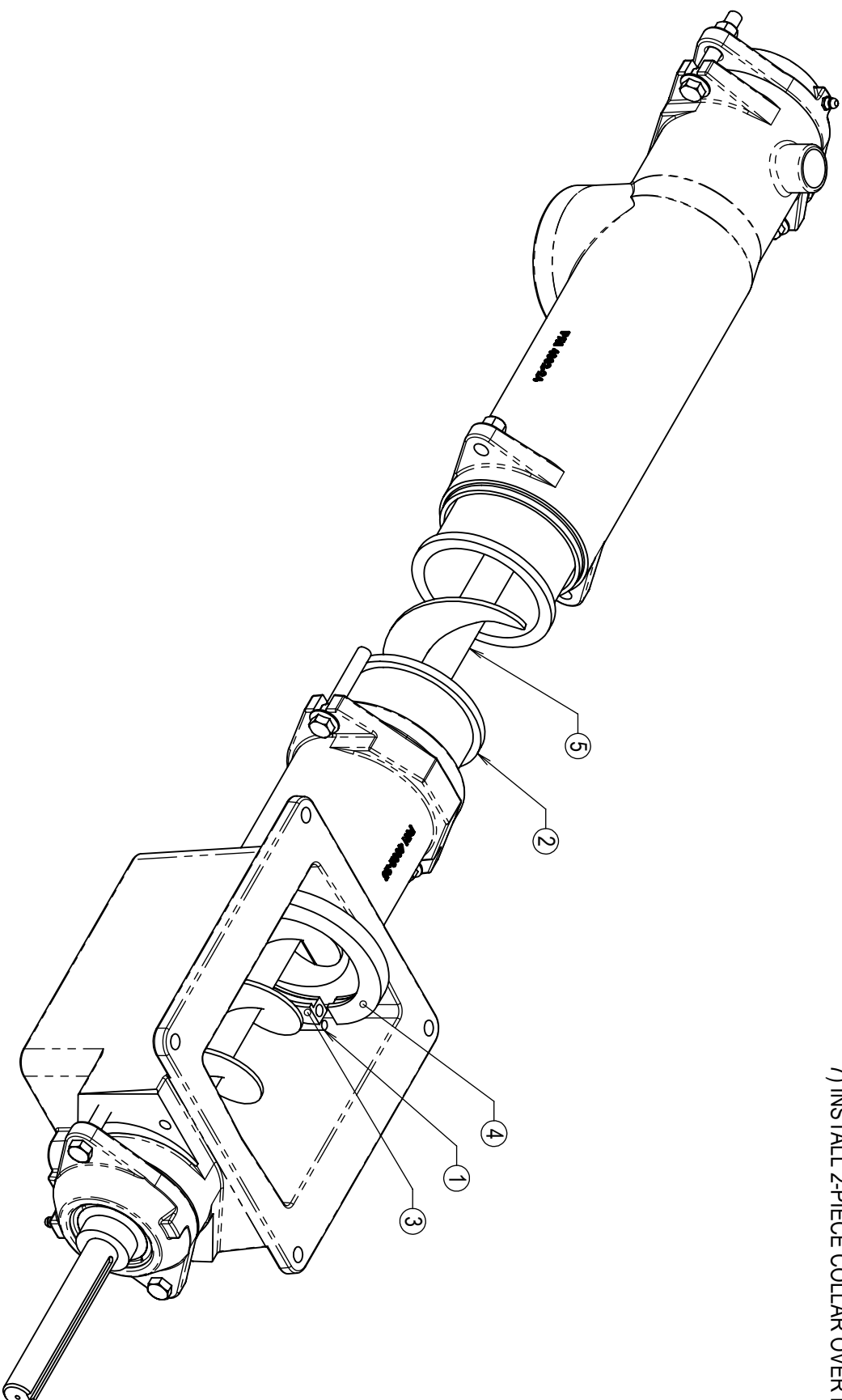
DATE		17-MAY-16	DWN BY	MRP	SCALE	1:4	SIZE	B	PAGE	1 OF 1
DOCUMENT NO.		6343-40	WEIGHT		61.7 LB		COLOR		NONE	

BOURGAULT INDUSTRIES LTD.
 ST-BRIEUX, SASKATCHEWAN CANADA S0K3V0

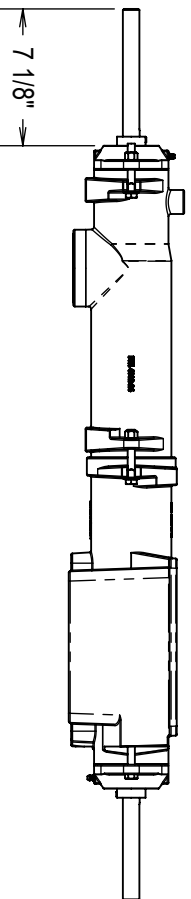
AMK F1X STL PPRO MTRG AGR

THE INFORMATION CONTAINED IN THIS DOCUMENT IS THE SOLE PROPERTY OF BOURGAULT INDUSTRIES LTD. USE SHALL BE LIMITED TO THE PURPOSES FOR WHICH THE INFORMATION HAS BEEN PROVIDED. ANY REPRODUCTION OR DISCLOSURE TO THIRD PARTIES, IN WHOLE OR PART, WITHOUT THE WRITTEN PERMISSION OF BOURGAULT INDUSTRIES LTD IS PROHIBITED.

7000 series airseeder - FHX Metering Auger Conversion Kit - 6343-41



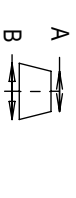
- ASSEMBLY INSTRUCTIONS:**
- 1) INSERT LINER & ORIFICE INTO BARREL & SUMP RESPECTIVELY AND CONNECT TOGETHER WITH O-RING ON BARREL. ENSURE BOLTS ARE TIGHTENED EVENLY TO SEAT PROPERLY.
 - 2) INSERT AUGER FLIGHTING INTO HOUSING.
 - 3) SLIDE GASKETS & BEARINGS OVER SHAFT AND BOLT ON (ENSURE STEP ON GASKET IS TOWARDS INSIDE OF BEARING FLANGE).
 - 4) POSITION AUGER FLIGHTING RELATIVE TO HOUSING TO ACHIEVE THE DIMENSION SHOWN.
 - 5) LOCK LOCKING COLLARS OF BEARINGS ONTO BOTH ENDS OF THE FLIGHTING.
 - 6) ROTATE AUGER AND ENSURE THAT IT IS NOT RUBBING ON THE LINER OR ORIFICE.
 - 7) INSTALL 2-PIECE COLLAR OVER LINER INSIDE THE SUMP. ENSURE IT IS TIGHT TO THE FACE OF THE ORIFICE.



ITEM #	PART #	DESCRIPTION	QTY.
1	1000-13	BOLT 1/4X1 UNC HEX SKT HEAD	2
2	6363-18	LNR SUMP UHMW PPRO SPCL FHX	1
3	6363-18-01	CLLR ORF FACE PL BOT 3-1/4 FHX	1
4	6363-18-02	CLLR ORF FACE PL TOP 3-1/4 FHX	1
5	6363-19	AGR FHX STL PPRO MTRG AGR	1

TOLERANCES UNLESS OTHERWISE SPECIFIED:

ANGLES ± 1° FRACTIONS ± 1/16"
 DECIMALS FRACTIONAL HOLES:
 XX ± .01"
 XXX ± .005"



REV	DATE	DESCRIPTION
0	17-NOV-16	COMPLETED DRAWING

THE INFORMATION CONTAINED IN THIS DOCUMENT IS THE SOLE PROPERTY OF BOURGAULT INDUSTRIES LTD. USE SHALL BE LIMITED TO THE PURPOSES FOR WHICH THE INFORMATION HAS BEEN PROVIDED. ANY REPRODUCTION OR DISCLOSURE TO THIRD PARTIES IN WHOLE OR PART, WITHOUT THE WRITTEN PERMISSION OF BOURGAULT INDUSTRIES LTD IS PROHIBITED.

BOURGAULT INDUSTRIES LTD.
 ST-BRIEUX, SASKATCHEWAN CANADA S0K3V0

AMK FHX STL PPRO MTRG AGR

DATE: 17-NOV-16 DWN BY: MRP SCALE: 1:4 SIZE: B PAGE: 1 OF 1

DOCUMENT NO. 6343-41 WEIGHT: 60.8 LB COLOR: NONE