



TO: All Bourgault Dealers  
 ATTN: Service Manager, Parts Manager, Sales Manager  
 SUBJECT: Tillage - Isolation Valve Kit

**INFORMATION BULLETIN:**

**BACKGROUND:**

Working around and more importantly under any tillage implement is dangerous. There are many different types of work / implement switches and many different configurations in raising and lowering implements with a manual switch (410 control box, remote switch etc). With the introduction of the lift/lower control through newer GPS enabled monitor systems it is now possible for the openers/banders to be lowered automatically during seeding according to coverage maps. This functionality means that if the hydraulic and electronic systems on the tractor were left in the active or “on” position while the tractor is stationary, it could be possible for the openers/banders to be lowered if the GPS receiver were to encounter drift or receive positional data indicating movement into an “unseeded” part of the field. This situation could have very serious consequences if someone were to be working under the tillage implement at that time. Therefore to increase safety while working under 3320 and 3720 units, an “isolation valve” has been added to disable the flow of oil between the tractor and the drill on the pressure side of the depth control circuit. This valve is mounted on the left side of the hitch, near the front, and is highlighted with a special decal. Activation of the “isolation valve” is recommended any time someone is working near or under the openers. The “isolation valve” was added to all 3320 and 3720 units for the 2015 model year. A retrofit kit has now been created to allow the addition of this safety feature to pre-2015 3310, 3320 and 3710 machines.

**CORRECTIVE ACTION:**

- Notify your staff involved with the Bourgault product line and your customers of this retrofit kit

Part Number	Description	Ref Price	List Price
9325-49	Isolation Valve Kit		

This kit can be ordered from the Bourgault Parts Department.

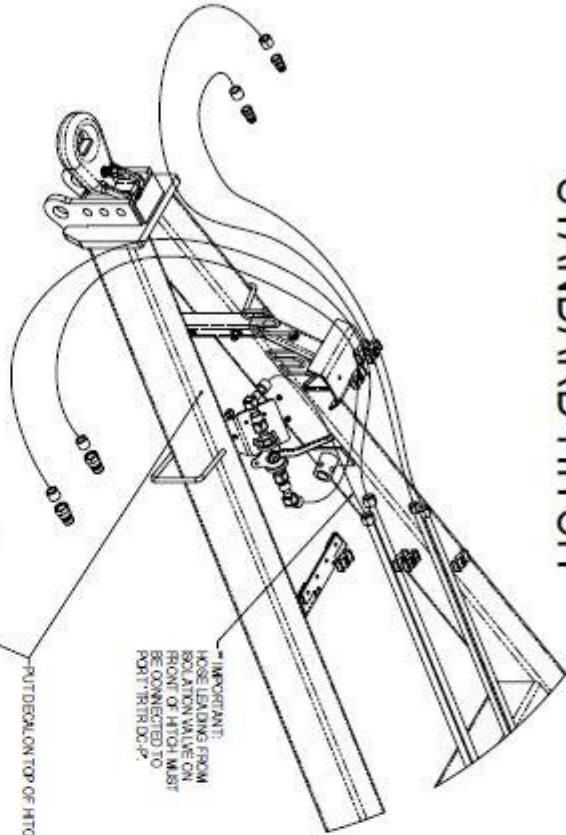


**WARRANTY DETAIL:**

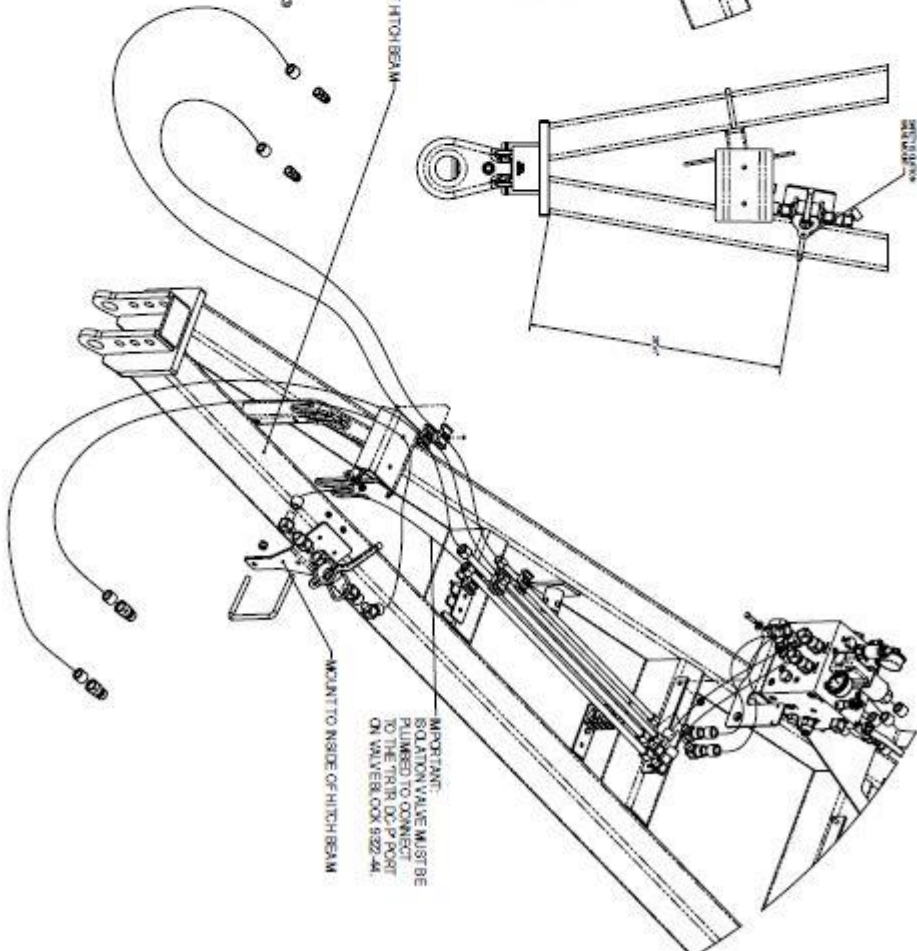
- Warranty does not apply.
- **CONTACT BOURGAULT DEALER FOR PRICING**



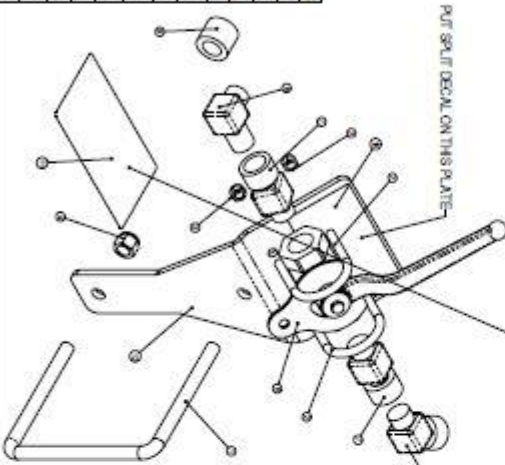
# STANDARD HITCH



# HIGH FLOATATION HITCH



ITEM #	PART #	DESCRIPTION	QTY
1	180-14	BOLT 3/21 X 3/8 S-14	1
2	18-12	BOLT HD 5/16 X 1-1/8 UNF 2 UNC PLD	2
3	20-105	NUT 1/2 UNF 2 UNC PLD	4
4	20-110	NUT 1/2 UNF 2 UNC PLD	2
5	336-04	ADPTR 45 DEG 1-1/8 MF AC	1
6	336-32	EL BRG 1-1/8 M/MC	1
7	336-07	SN 1-1/8 M/MC X 1-1/8 MF AC	2
8	341-40	AL VBALL 3/8 HD LOCK SAF BLN 1	1
9	390-08	H/O HOS SW20X 1-1/8 MF AC	1
10	390-13	3/4 SAF ISN VLV 2 PCE	1
11	390-14	3/4 SAF ISN VLV 1 PCE	1
12	522-02	W/ALVER OPR SAF ISN VLV	1



ITEM #	PART #	DESCRIPTION	QTY
1	180-14	BOLT 3/21 X 3/8 S-14	1
2	18-12	BOLT HD 5/16 X 1-1/8 UNF 2 UNC PLD	2
3	20-105	NUT 1/2 UNF 2 UNC PLD	4
4	20-110	NUT 1/2 UNF 2 UNC PLD	2
5	336-04	ADPTR 45 DEG 1-1/8 MF AC	1
6	336-32	EL BRG 1-1/8 M/MC	1
7	336-07	SN 1-1/8 M/MC X 1-1/8 MF AC	2
8	341-40	AL VBALL 3/8 HD LOCK SAF BLN 1	1
9	390-08	H/O HOS SW20X 1-1/8 MF AC	1
10	390-13	3/4 SAF ISN VLV 2 PCE	1
11	390-14	3/4 SAF ISN VLV 1 PCE	1
12	522-02	W/ALVER OPR SAF ISN VLV	1