



TO: All Bourgault Dealers  
 ATTN: Service Manager, Parts Manager, Sales Manager  
 SUBJECT: Deteriorated Rubber Spacers on Saddle Tank Mounts

**FIX ON FAILURE** (Failure Code 15.18) Effective serial number range: Model yr. 2018 tanks with a saddle tank

**BACKGROUND:**

For model year 2018 the saddle tanks can be equipped with load cells. The saddle tank is mounted to the load cell and rubber spacers are used to provide some flexibility to this connection. In cases where a load cell is not used a steel block is used in its place. It has been identified that the neoprene material originally used in these rubber spacers may deteriorate when exposed to the outdoor environment. A new EPDM rubber material has been sourced and is now being used for these rubber spacers. In locations where the neoprene washers have deteriorated they should be replaced with the new EPDM rubber spacers.

**CORRECTIVE ACTION:**

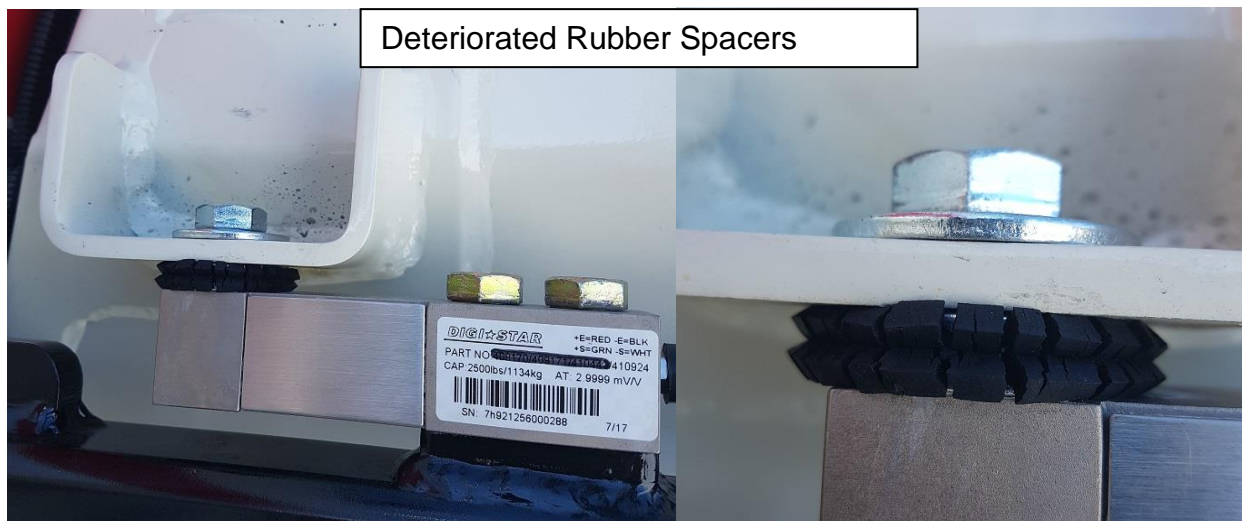
- saddle tank equipped units should be inspected.

Parts required per saddle tank

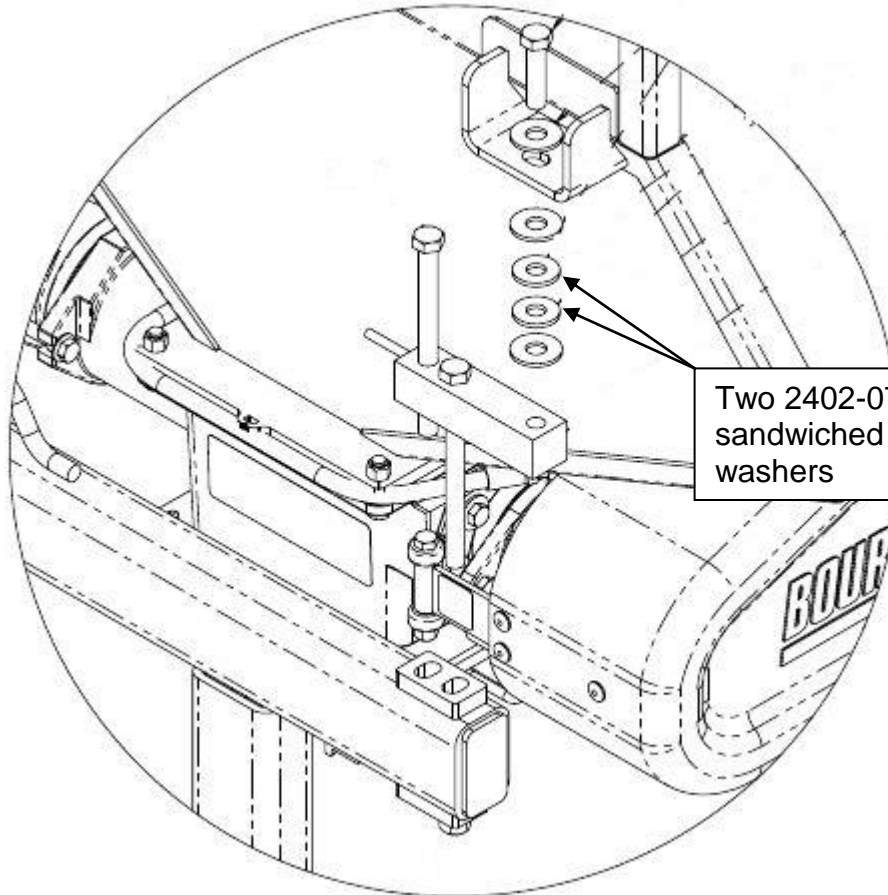
Part Number	Qty	Description	Ref price/each	List Price/each
2402-07	8	Rubber spacers	\$	\$

**WARRANTY DETAIL:**

Contact your local Bourgault dealer for warranty details  
 Warranty for this Upgrade will be available until October 31, 2018

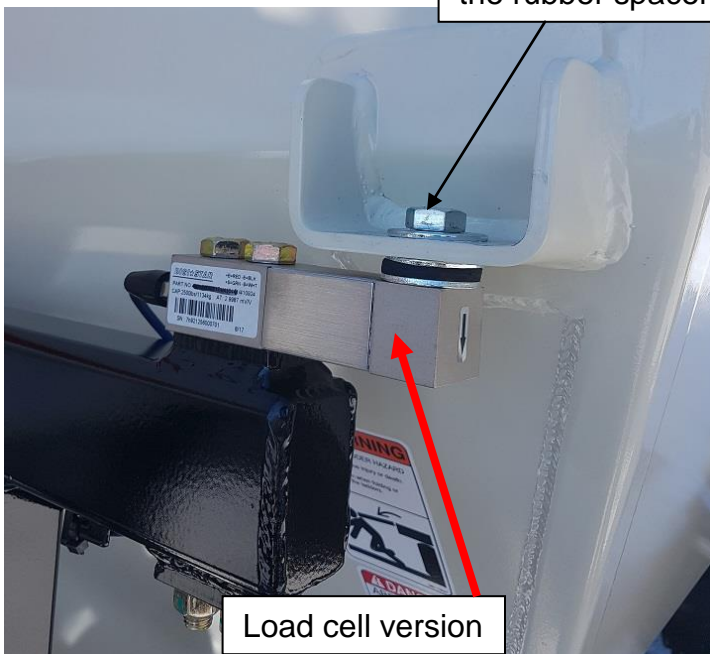


### Proper Orientation of the new EPDM spacers

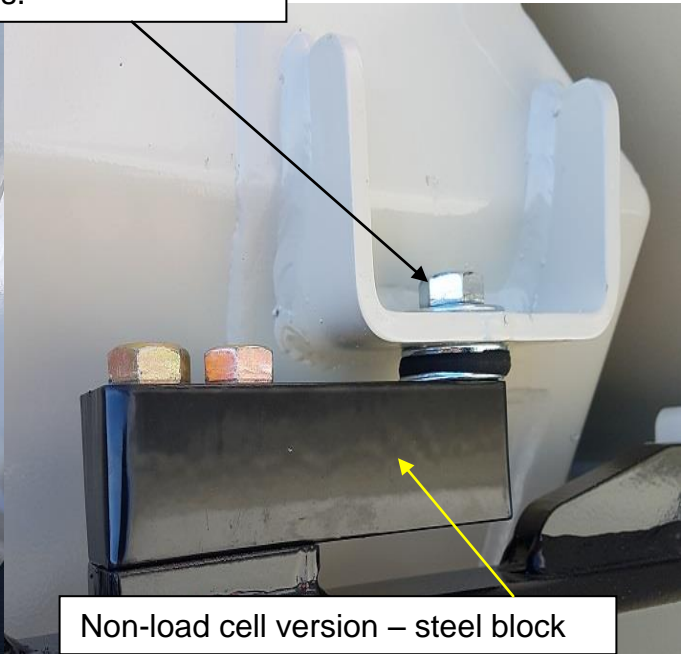


Two 2402-07 rubber spacers sandwiched between two flat washers

Tighten bolt to the point where you begin to see a slight compression of the rubber spacers.



Load cell version



Non-load cell version – steel block