



TSB # 17-2014

March 11, 2014

Page 1 of 2

TO: All Bourgault Dealers
ATTN: Service Manager, Parts Manager, Sales Manager
SUBJECT: QDA Cylinder Upgrade Kit

FIX ON FAILURE (Failure Code 17.14)

Effective Serial Number Range – 40660PH-01 to 41388PH-12

BACKGROUND:

Some QDA equipped 60', 66' and 76' - 3320's in the above serial number range have experienced QDA cylinder (3301-76) shaft failures on the rear main frame QDA locations. An upgrade kit has been created to upgrade the existing cylinder with a stronger cylinder (3301-77). Since the 3301-76 used 1" bolts to connect to the arm assemblies and the new cylinder uses 1 1/4" bolts, the upgrade package will contain hardened bushings to be pressed into the clevis holes to allow the 1" bolts to be used with the new cylinder. Along with the cylinder upgrade, the cylinder clevis shim mount will be changed and the bottom 11GA fixed shim will be replaced with the newer version that contains the welded profile spacer.

CORRECTIVE ACTION:

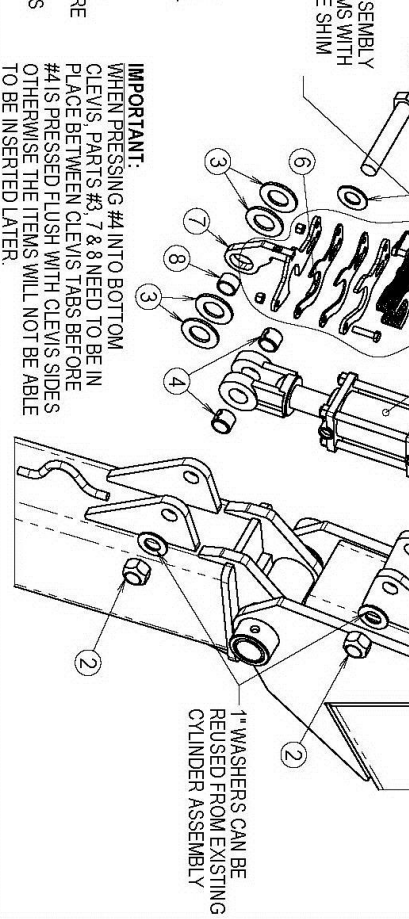
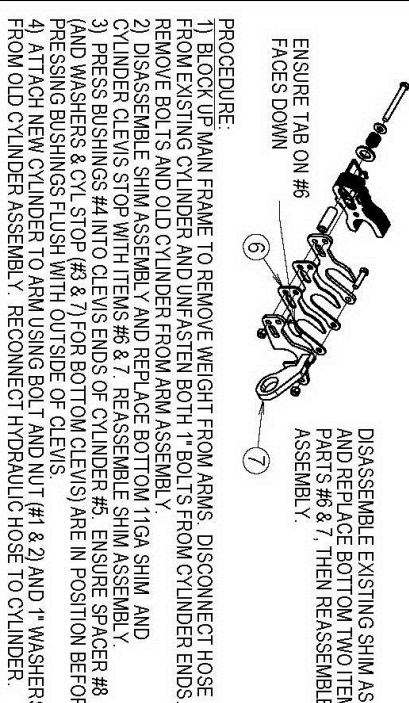
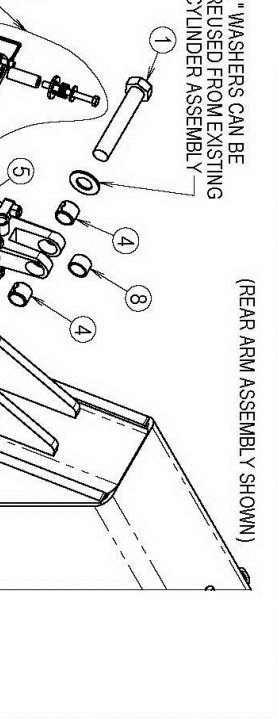
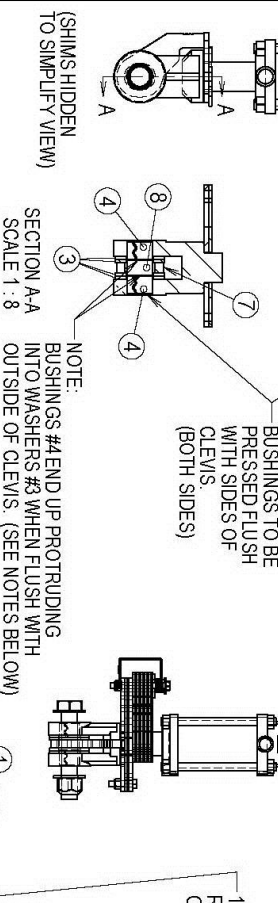
- For those units having experienced cylinder failure(s) on the rear main frame QDA locations consider the upgrade kit as a solution.
- Order the required parts

Part Number	Description	Ref Price	List Price
9309-30	3320 QDA Cylinder Upgrade Kit		

NOTE: each kit upgrades one QDA cylinder location.**WARRANTY DETAIL:****CONTACT BOURGAULT DEALER FOR PRICING AND ANY AVAILABLE WARRANTY COVERAGE**

If you have any questions regarding this TSB, please contact the Bourgault Service Department at (306) 275-2300 St. Brieux, Sk

ITEM #	PART #	DESCRIPTION	QTY.
1	1015-34	BOLT SPT RIP 1X5-58 UNC GR8 PLD	2
2	1209-07	NUT PTRQ TL 1 UNC GR B ZDW	2
3	1325-56	WSHR 1-1/4 SAE PLD	4
4	2130-16	BSHG HDN 1-1/4 OD X 1 ID X 1	4
5	3301-77	CYL HYD 3X2.5 1-1/4 PINS	1
6	9306-06	11GA FIXED SHIM QDA BASE	1
7	9307-93	CYL CLV STOP WF HF	1
8	9309-30-01	SPCR BSHG 1-1/4X1.032X3/4 RED	2



TOLERANCES UNLESS OTHERWISE SPECIFIED:

ANGLES ± 1° FRACTIONS ± 1/16"

DECIMALS FRACTIONAL HOLES:
 .XX ± 0.1"
 .XXX ± 0.05"

A: +0.020" -0.010"
 B: +0.150" -0.010"

REV	DATE	DESCRIPTION	CB	BY
0	6-NOV-13	COMPLETED DRAWINGS		
			13-550	KST

DATE: 05-NOV-13
 ORN BY: KST
 SCALE: 1:10
 SIZE: A
 PAGE: 1 OF 1

3320 QDA CYL UPGD PKG 3301-77
 ST-BRIEUX SASIKATOHEWAN CANADA S0K 3V0

DOCUMENT NO: 9309-30
 WEIGHT: 31.7 LB
 COLOR: NONE

THE INFORMATION CONTAINED IN THIS DOCUMENT IS THE SOLE PROPERTY OF BOURGAULT INDUSTRIES LTD. USE SHALL BE LIMITED TO THE PURPOSES FOR WHICH THE INFORMATION HAS BEEN PROVIDED. ANY REPRODUCTION OR DISCLOSURE TO THIRD PARTIES, IN WHOLE OR PART, WITHOUT THE WRITTEN PERMISSION OF BOURGAULT INDUSTRIES LTD. IS PROHIBITED.