



TO: All Bourgault Dealers
ATTN: Service Manager, Parts Manager, Sales Manager
SUBJECT: In-Tank LED Light Retrofit Kits

CUSTOMER INSTALLED UPGRADE: (Failure Code 21.16)
Effective serial number range: 2016 - 7000series air-seeders prior to 42424AS-01

BACKGROUND:

To improve image quality of the ASA cameras used on all 7000 series air-seeders an LED light has been added to the inside of each compartment. The addition of the LED light in each compartment results in full color images when viewing the display. The color images provide a much higher level of contrast, definition and will be easier for all operators to see. This has been a running change for the 2016 model year. Retrofit kits have been created to add the in-tank LED lights to 7000 series air-seeders equipped with ASA cameras. The retrofit kits come with new LED lights, magnetic mounts, any required harnesses, and tank grommets.

CORRECTIVE ACTION:

- Notify your staff involved with the Bourgault product line and your customers of these retrofit kits.

Part Number	Description	Ref Price	List Price
6358-02-44	Tow-Behind – In-Tank LED Light Retrofit Kit		
6358-02-45	Leading – In-Tank LED Light Retrofit Kit		

These retrofit kits can be ordered from the Bourgault Parts Department.

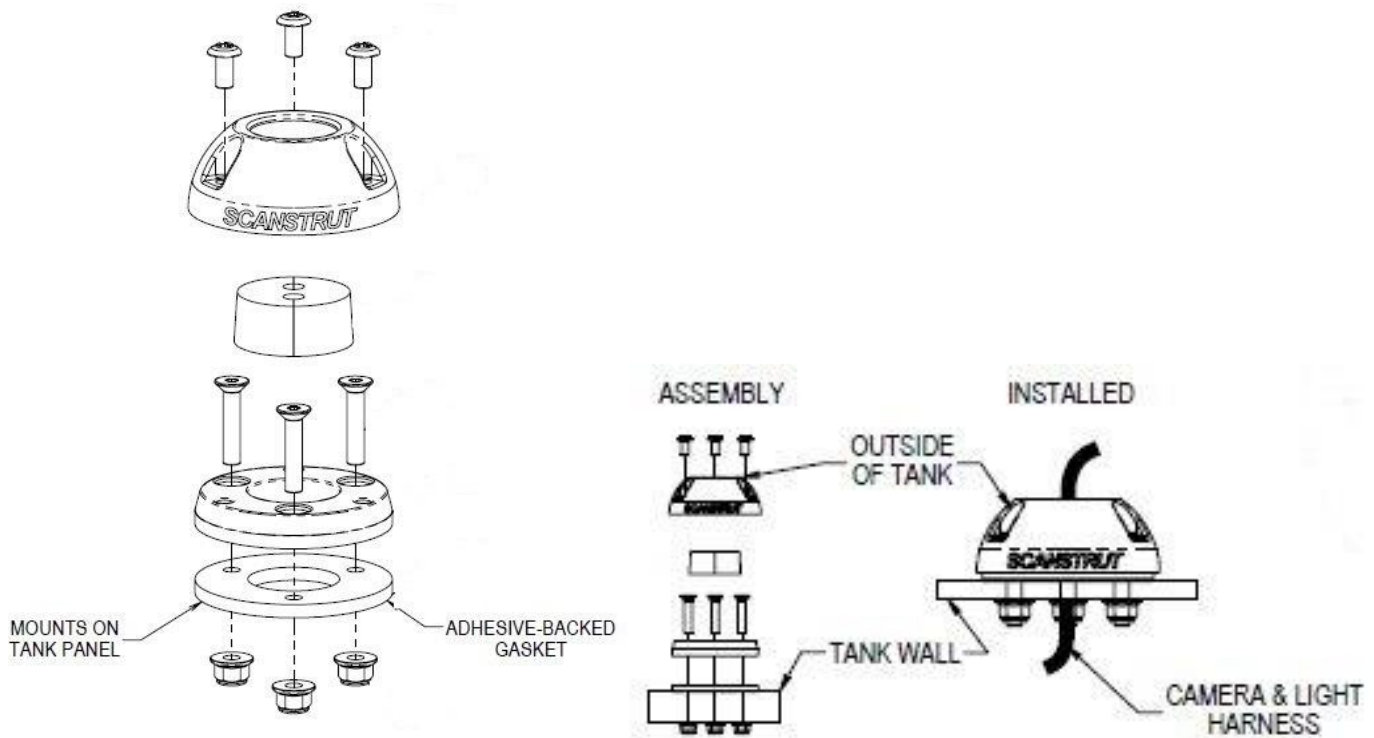
Note: both kits include the required components for 6 lights, therefore for some tank configurations some components will be not be used.





- Air-seeders built prior to sn: 42103AS-01 will also require the new style tank “bulkheads” as they are not included in the kits listed above.
 - Installation requires new mounting holes to be drilled into the tank panels
 - Order 1 per compartment

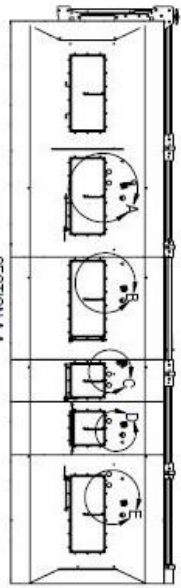
Part Number	Description	Ref Price	List Price
6363-42	Tank Bulkhead		



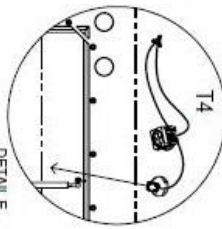
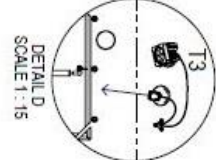
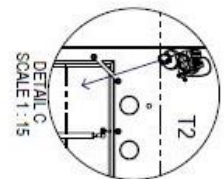
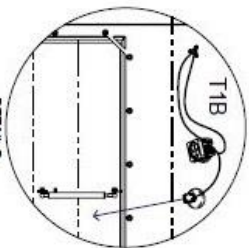
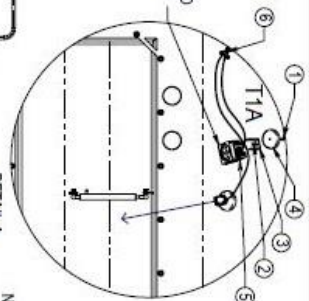
WARRANTY DETAIL:

CONTACT BOURGAULT DEALER FOR PRICING

If you have any questions regarding this TSB, please contact your Customer Service Representative

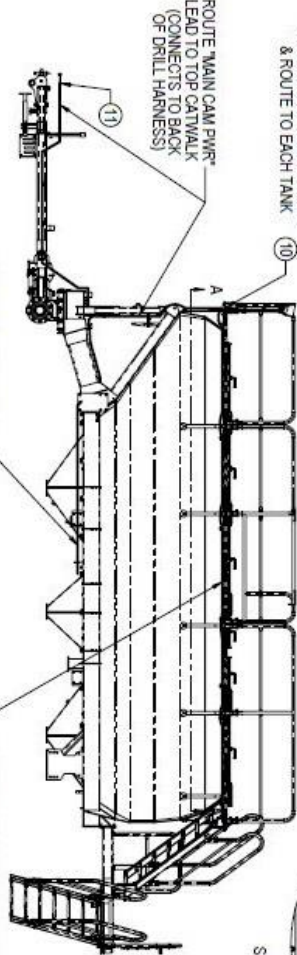


PLACE EACH LIGHT BEHIND CAMERA POINTED DOWN TOWARDS SUMP



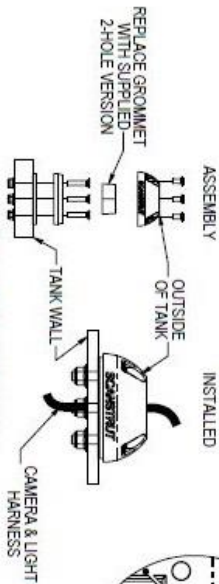
TBHD

CONNECT CAMR LIGHT HARNESS TO MAIN HARNESS & ROUTE TO EACH TANK



DETAIL A SCALE 1:15

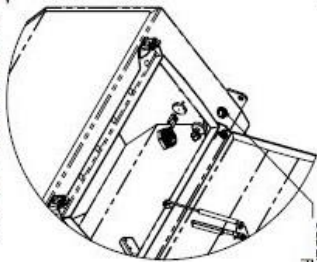
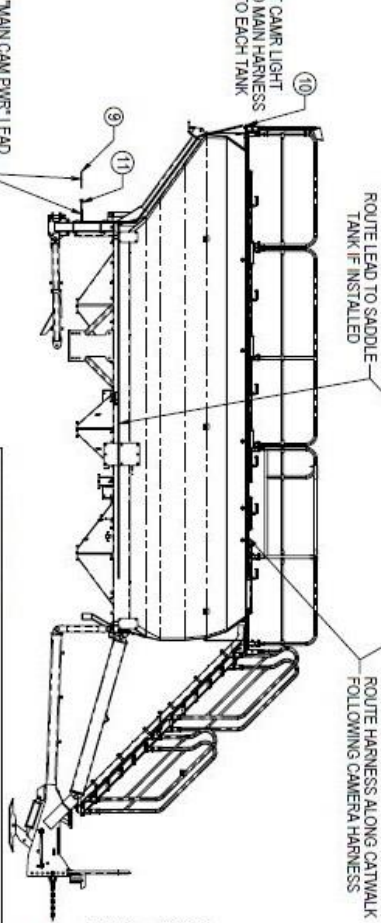
NOTE - TANK 18 NOT INCLUDED FOR 7550 (TANK 4A FOR L7750)
- CAP 3151-80 HARNESS LEAD WITH 3192-35



VIEW OF GROMMET REPLACEMENT
OLDER UNITS HAVE GROMMET ON BACK SIDE OF TANK AND IS INSTALLED FROM INSIDE OF TANK WITH A COVER PLATE ON THE OUTSIDE

LDG

CONNECT CAMR LIGHT HARNESS TO MAIN HARNESS & ROUTE TO EACH TANK



ROUTE MAIN CAM PWR LEAD TO TOP CATWALK (CONNECTS TO BACK OF DRILL HARNESS USING EXTENSION HARNESS)

- INSTRUCTIONS:**
- ROUTE 3151-83 HARNESS FROM HITCH OF AIRSEEDER TO SADDLE TANK (IF INSTALLED) & UP TO TANK TOP CATWALK.
 - CONNECT 3151-80 AT CATWALK & ROUTE TO EACH TANK.
 - ASSEMBLE LIGHT TO MAGNET MOUNT & POSITION BESIDE CAMERA POINTED DOWN TOWARDS THE SUMP.
 - REPLACE GROMMET WITH SUPPLIED 2-HOLE VERSION & FEED LIGHT CABLE THROUGH ALONG WITH CAMERA CABLE.
 - CONNECT TO LEAD AT REAR OF DRILL SAFETY LIGHT HARNESS. FOR LDG CONFIGURATION USE EXTENSION 3150-50 TO ROUTE TO REAR OF DRILL.

ITEM #/PART #	DESCRIPTION	TBHD	LDG
1	1108-21 SCR WAOH #10-24X1/2 HEX SS	6	6
2	1200-28 LKNT NYL #10-24 UNCS SS	6	6
3	3122-94 W/ LT IN-TANK LED	6	6
4	3122-95 MAG W/ LT LGE	6	6
5	3180-32 LAMP LED 12V/12W W/ DEUTSCH	6	6
6	6383-42-01 SAM RBR SEAL DUAL CA GROMMET	6	6
7	1850-15 TIE NYL 11 IN BK	40	40
8	3132-35 CAP DEU 2PIN F	-	1
9	3150-50 HARW CUL EXT AUX WORK LT	-	1
10	3151-80 HARW LED CAM 7000	1	1
11	3151-83 HARW UPSD LED CAM 7000	1	1

INSTRUCTION: 0252-01-15
DESCRIPTION: INSTR LT INTL TANK CAMR 75